

# PITBUL – N

# IP 65



**Application:** PITBUL-N dustproof light fixture with resistance against water jets is designed for premises with danger of explosion. They can be used in areas with difficult and expensive replacement of light sources. Light fixture is certified by FTZÚ Ostrava-Radvanice (certificate FTZU 05 ATEX 0199X).

**Ballast:** **K** – electromagnetic ballast 230V/50Hz, with parallel compensation  
**EP** – electronic ballast 220-240V/50-60 Hz AC, 220-240V DC, 176-280 V DC (min. discharge ignition voltage of lamp  $\geq 198$  V DC)

**Body:** White painted metal sheet RAL9003

**Cover:** Tempered safety glass

**Reflector:** White painted metal sheet RAL9003

**Fastening:** Fastening with M8 screws through the base, with ceiling brackets or bracket grips screwed to the sides of the body, suspension via suspension brackets, into false ceiling by means of recessed frame.

**Connection:** Screwless three-pole terminal block, max. diameter of wires 2,5 mm<sup>2</sup>

**Standard equipment:** 1 pc sealing cable gland, 1 pc sealing plug

**On request:** **1F/3F** – one or three phase through-wiring connection

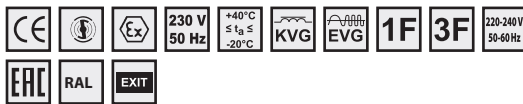
**NEREZ** – body from stainless steel sheet

**RAL** – another colour finishing

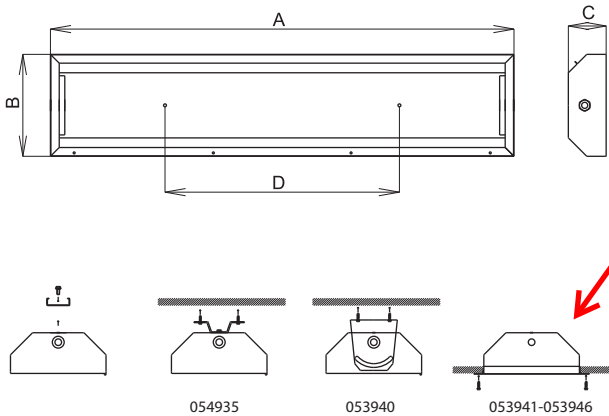
Providing with cable glands for armoured cables

**Em** – non-maintained emergency lighting (1 h, 3 h)– see page 188

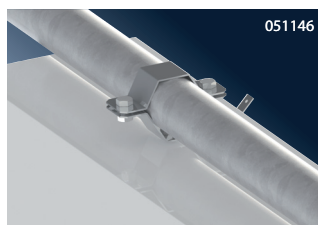
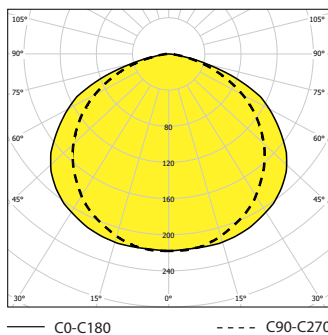
**MULTI** – maintained emergency lighting (1 h, 3 h)– see page 188



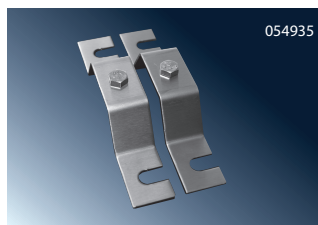
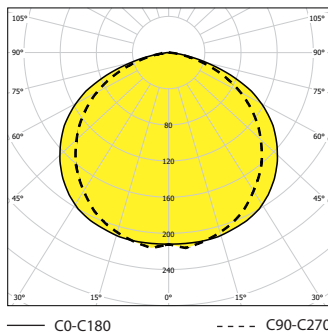
**FTZÚ 05 ATEX 0199X**



PITBUL-N, 2x36W, IP65



PITBUL-N, 4x58W, IP65



1			Arb.CD
<b>– electronic ballast, -20°C ≤ t<sub>a</sub> ≤ +40°C</b>			
053870	PITBUL-N-I-118-EP, 1x18 W		701 x 302 x 130 x 450
053871	PITBUL-N-I-218-EP, 2x18 W		701 x 302 x 130 x 450
053872	PITBUL-N-I-318-EP, 3x18 W		701 x 302 x 130 x 450
053873	PITBUL-N-I-418-EP, 4x18 W		701 x 362 x 130 x 450
053874	PITBUL-N-I-136-EP, 1x36 W		1312 x 302 x 130 x 800
053875	PITBUL-N-I-236-EP, 2x36 W		1312 x 302 x 130 x 800
053876	PITBUL-N-I-336-EP, 3x36 W	T26/G13	1312 x 302 x 130 x 800
053877	PITBUL-N-I-436-EP, 4x36 W		1312 x 362 x 130 x 800
053878	PITBUL-N-I-158-EP, 1x58 W		1611 x 302 x 130 x 1100
053879	PITBUL-N-I-258-EP, 2x58 W		1611 x 302 x 130 x 1100
053880	PITBUL-N-I-358-EP, 3x58 W		1611 x 302 x 130 x 1100
053881	PITBUL-N-I-458-EP, 4x58 W		1611 x 362 x 130 x 1100

**– special accessories**

008060	Cable gland Ex M20x1,5
008097	Plastic nut WISKA EMUG 20 M20x1,5
008090	Sealing plug Ex M20x1,5
053940	Set of bracket grips with accessory (2 pcs)
053941	Recessed frame 1/2/3x18W – 384,4 x 775 mm (mounting hole 323 x 742 mm)
053942	Recessed frame 4x18W – 443,4 x 775 mm (mounting hole 383 x 742 mm)
053943	Recessed frame 1/2/3x36W – 384,4 x 1385 mm (mounting hole 323 x 1353 mm)
053944	Recessed frame 4x36W – 443,4 x 1385 mm (mounting hole 383 x 1353 mm)
053945	Recessed frame 1/2/3x58W – 384,4 x 1685 mm (mounting hole 323 x 1653 mm)
053946	Recessed frame 4x58W – 443,4 x 1685 mm (mounting hole 383 x 1653 mm)
054935	Set of stainless steel ceiling brackets (2 pcs)
004642	Suspension bracket M8 (1 pc)
051146	Pole bracket for Ø50 mm

**Application of light fixtures in areas with danger of explosion**

	Marking of external influences	Classification areas	
		Marking	Formation prescription
Danger of explosion of flammable dust	BE3N1	ZONE 22	ČSN EN 60079-14 ČSN EN 60079-10-2
Danger of explosion of flammable gases and vapors	BE3N2	ZONE 2	ČSN EN 60079-14 ČSN EN 60079-10-1

PITBUL-N		PITBUL-N-EP	
1x/2x/3x/4x18W	⊕ II 3G Ex nA IIC T4 Gc ⊕ II 3D Ex tc IIIC T78°C Dc	1x/2x/3x/4x18W	⊕ II 3G Ex nA IIC T4 Gc ⊕ II 3D Ex tc IIIC T78°C Dc
1x/2x/3x/4x36W	⊕ II 3G Ex nA IIC T4 Gc ⊕ II 3D Ex tc IIIC T78°C Dc	1x/2x/3x/4x36W	⊕ II 3G Ex nA IIC T4 Gc ⊕ II 3D Ex tc IIIC T78°C Dc
1x/2x/3x/4x58W	⊕ II 3G Ex nA IIC T4 Gc ⊕ II 3D Ex tc IIIC T78°C Dc	1x/2x/3x/4x58W	⊕ II 3G Ex nA IIC T4 Gc ⊕ II 3D Ex tc IIIC T78°C Dc

LIGHTING FIXTURES FOR POTENTIALLY EXPLOSIVE ATMOSPHERES – ZONE 2,22