

K-2-N, K-3-N

IP 65



Application: K-2-N, K-3-N dustproof light fixture with resistance against water jets is designed for premises with danger of explosion. They can be used in interior or exterior areas. Light fixture is certified by FTZÚ Ostrava-Radvanice (certificate FTZÚ 06 ATEX 0058X).

Ballast: Electromagnetic ballast 230V/50Hz, with parallel compensation

Body: Alluminium casting

Cover: Tempered safety glass

Reflector: Aluminium hammer plate, anodized surface

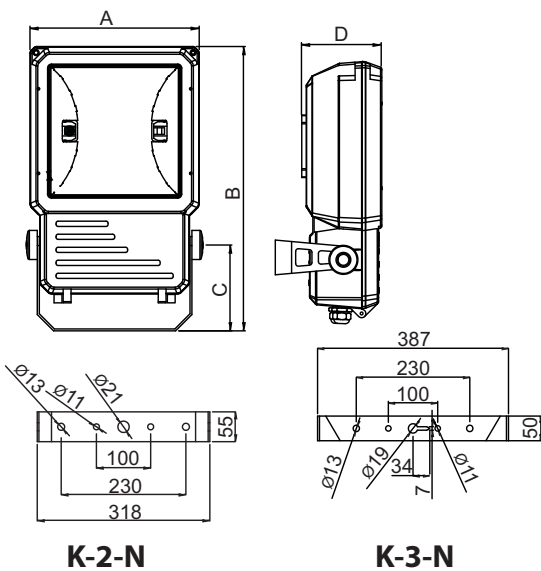
Fastening: Fastening on the base by means of positioning bracket grips

Connection: Screwless three-pole terminal block, max. diameter of wires 2,5 mm²; light fixture is ready to connect two wires

Standard equipment: 2 pcs sealing cable gland



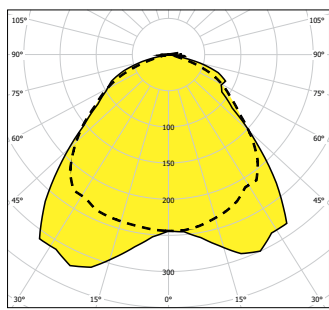
FTZÚ 06 ATEX 0058X



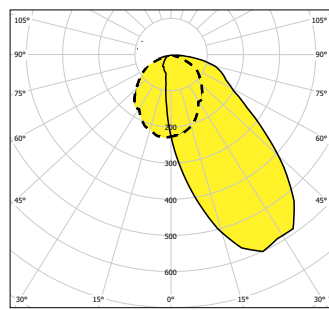
K-2-N

K-3-N

K-2-N, 1x250W, IP65



K-3-N, 1x400W, IP65, assymmetric reflector



Code	Model	Power	Temp. Range	Dimensions (mm)
------	-------	-------	-------------	-----------------

- K-2-N, high pressure sodium discharge lamp HST, -20°C ≤ t_a ≤ +40°C

054530	K-2-N-150S-SYM, E40, 1 x 150W			350 x 524 x 160 x 146
054531	K-2-N-150S-ASYM, E40, 1 x 150W	HST/E40		350 x 524 x 160 x 146
054532	K-2-N-250S-SYM, E40, 1 x 250W			350 x 524 x 160 x 146
054533	K-2-N-250S-ASYM, E40, 1 x 250W			350 x 524 x 160 x 146

- K-2-N, high pressure metal halide lamp HIT, -20°C ≤ t_a ≤ +40°C

054529	K-2-N-150H-SYM, 1x150W, E40			350 x 524 x 160 x 146
054528	K-2-N-150H-ASYM, 1x150W, E40	HIT/E40		350 x 524 x 160 x 146
054534	K-2-N-250H-SYM, E40, 1 x 250W			350 x 524 x 160 x 146
054535	K-2-N-250H-ASYM, E40, 1 x 250W			350 x 524 x 160 x 146

Code	Model	Power	Temp. Range	Dimensions (mm)
------	-------	-------	-------------	-----------------

- K-3-N, high pressure sodium discharge lamp HST, -20°C ≤ t_a ≤ +40°C

054540	K-3-N-250S-SYM, E40, 1x250W			452 x 660 x 218 x 180
054541	K-3-N-250S-ASYM, E40, 1x250W	HST/E40		452 x 660 x 218 x 180
054536	K-3-N-400S-SYM, E40, 1 x 400W			452 x 660 x 218 x 180
054537	K-3-N-400S-ASYM, E40, 1 x 400W			452 x 660 x 218 x 180

- K-3-N, high pressure metal halide lamp HIT, -20°C ≤ t_a ≤ +40°C

054542	K-3-N-250H-SYM, E40, 1x250W, 3,0A			452 x 660 x 218 x 180
054543	K-3-N-250H-ASYM, E40, 1x250W, 3,0A	HIT/E40		452 x 660 x 218 x 180
054538	K-3-N-400H-SYM, E40, 1 x 400W			452 x 660 x 218 x 180
054539	K-3-N-400H-ASYM, E40, 1 x 400W			452 x 660 x 218 x 180

Application of light fixtures in areas with danger of explosion

Marking of external influences	Classification areas	
	Marking	Formation prescription
Danger of explosion of flammable dust	BE3N1	ZONE 22 ČSN EN 60079-14 ČSN EN 60079-10-2
Danger of explosion of flammable gases and vapors	BE3N2	ZONE 2 ČSN EN 60079-14 ČSN EN 60079-10-1

K-2-N		K-3-N	
-------	--	-------	--

150W/HST	⊕ II 3G Ex nA IICT1 Gc ⊕ II 3D Ext tc IICT 181°C Dc	400W/HST	⊕ II 3G Ex nA IICT1 Gc ⊕ II 3D Ext tc IICT 181°C Dc
150W/HIT	⊕ II 3G Ex nA IICT1 Gc ⊕ II 3D Ext tc IICT 181°C Dc	400W/HIT	⊕ II 3G Ex nA IICT1 Gc ⊕ II 3D Ext tc IICT 181°C Dc
250W/HST	⊕ II 3G Ex nA IICT1 Gc ⊕ II 3D Ext tc IICT 181°C Dc	250W/HST	⊕ II 3G Ex nA IICT1 Gc ⊕ II 3D Ext tc IICT 181°C Dc
250W/HIT	⊕ II 3G Ex nA IICT1 Gc ⊕ II 3D Ext tc IICT 181°C Dc	250W/HIT	⊕ II 3G Ex nA IICT1 Gc ⊕ II 3D Ext tc IICT 181°C Dc

Permissible positions during operation of light fixture

