

# PITBUL – Ex - LED

# IP 65



**Application:** PITBUL-Ex-LED dustproof lighting fixture with resistance against water jets is designed for premises with danger of explosion. Certified by FTZÚ Ostrava-Radvanice (certificate FTZU 16 ATEX 0089X).

**Ballast:** Electronic ballast 110 – 254V, 50/60Hz  
220 – 250V, 0Hz

**Body:** White painted metal sheet RAL9003

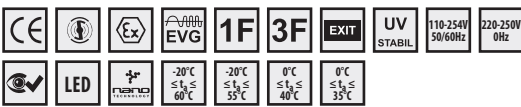
**Cover:** Tempered safety glass

**Fastening:** Fastening with M8 screws through the base, with ceiling brackets or bracket grips screwed to the sides of the body, suspension via suspension brackets, into false ceiling by means of recessed frame.

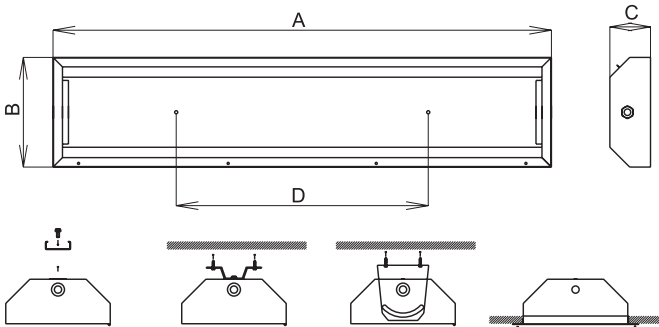
**Connection:** WAGO® Ex terminal block, max. diameter of wires 4 mm2

**Standard equipment:** 1 pc sealing cable gland, 1 pc sealing plug

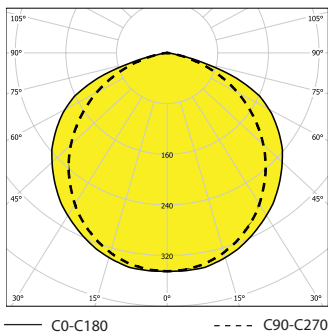
**On request:** **NEREZ** – body from stainless steel sheet  
**1F/3F** – one or three phase through-wiring connection  
**Em** – non-maintained emergency lighting (1 h, 3 h)  
**MULTI** – maintained emergency lighting (1 h, 3 h)  
**RAL** – another colour of painting



**FTZÚ 16 ATEX 0089X**



PITBUL-Ex-LED-D-5000-236-4K



		Tc/λ	(lm)*	(W)**	AxBxC/DxE (mm)
<b>- with disconnecter, ta -20°C až +60°C</b>					
053660	PITBUL-Ex-LED-D-2500-218-4K	4000	2500	28	701 x 302 x 130 x 450
053662	PITBUL-Ex-LED-D-5000-236-4K	4000	5000	55	1312 x 302 x 130 x 800
<b>- with disconnecter, ta -20°C až +55°C</b>					
053661	PITBUL-Ex-LED-D-5000-418-4K	4000	5000	55	701 x 362 x 130 x 450
053663	PITBUL-Ex-LED-D-10000-436-4K	4000	10000	103	1312 x 362 x 130 x 800
<b>- without disconnecter, ta -20°C až +60°C</b>					
053656	PITBUL-Ex-LED-WOD-2500-218-4K	4000	2500	28	701 x 302 x 130 x 450
053658	PITBUL-Ex-LED-WOD-5000-236-4K	4000	5000	55	1312 x 302 x 130 x 800
<b>- without disconnecter, ta -20°C až +55°C</b>					
053657	PITBUL-Ex-LED-WOD-5000-418-4K	4000	5000	55	701 x 362 x 130 x 450
053659	PITBUL-Ex-LED-WOD-10000-436-4K	4000	10000	103	1312 x 362 x 130 x 800
<b>- non-maintained emergency mode 1,5h; 3h, ta 0°C až +40°C</b>					
053672	PITBUL-Ex-Em-LED-2500-218-4K, 1,5h	4000	2500	28	701 x 302 x 130 x 450
053674	PITBUL-Ex-Em-LED-2500-218-4K, 3h	4000	2500	28	701 x 302 x 130 x 450
053673	PITBUL-Ex-Em-LED-5000-236-4K, 1,5h	4000	5000	55	1312 x 302 x 130 x 800
053675	PITBUL-Ex-Em-LED-2500-236-4K, 3h	4000	5000	55	1312 x 302 x 130 x 800
<b>- maintained emergency mode 1,5h;3h, ta 0°C až +40°C</b>					
053668	MULTIPITBUL-Ex-LED-2500-218-4K, 1,5h	4000	2500	28	701 x 302 x 130 x 450
053664	MULTIPITBUL-Ex-LED-2500-218-4K, 3h	4000	2500	28	701 x 302 x 130 x 450
053670	MULTIPITBUL-Ex-LED-5000-236-4K, 1,5h	4000	5000	55	1312 x 302 x 130 x 800
053666	MULTIPITBUL-Ex-LED-5000-236-4K, 3h	4000	5000	55	1312 x 302 x 130 x 800
<b>- maintained emergency mode 1,5h;3h, ta 0°C až +35°C</b>					
053669	MULTIPITBUL-Ex-LED-5000-418-4K, 1,5h	4000	5000	55	701 x 362 x 130 x 450
053665	MULTIPITBUL-Ex-LED-5000-418-4K, 3h	4000	5000	55	701 x 362 x 130 x 450
053671	MULTIPITBUL-Ex-LED-10000-436-4K, 1,5h	4000	10000	103	1312 x 362 x 130 x 800
053667	MULTIPITBUL-Ex-LED-10000-436-4K, 3h	4000	10000	103	1312 x 362 x 130 x 800

**- special accessories – see PITBUL-Ex (page 138)**

(lm)\* - luminous flux of LED module (W)\*\* - input power

**Application of light fixtures in areas with danger of explosion**

	Marking of external influences	Classification areas	
		Marking	Formation prescription
Danger of explosion of flammable dust	BE3N1	ZÓNA 21, 22	ČSN EN 60079-14 ČSN EN 60079-10-2
Danger of explosion of flammable gases and vapors	BE3N2	ZÓNA 1, 2	ČSN EN 60079-14 ČSN EN 60079-10-1

PITBUL-Ex-LED	PITBUL-Ex-LED-WOD
⊕ II 2G Ex db eb mb op is IIC T4 Gb	⊕ II 2G Ex eb mb op is IIC T4 Gb
⊕ II 2D Ex tb IIIC T 67°C Db	⊕ II 2D Ex tb IIIC T 67°C Db

**System of marking**

PITBUL-Ex-LED-XXXX-YYY-WOD	PITBUL-Ex-LED - without disconnecter
PITBUL-Ex-LED-XXXX-YYY-D	PITBUL-Ex-LED - with disconnecter
PITBUL-Ex-LED-XXXX-YYY-2D	PITBUL-Ex-LED - with two disconnectors
PITBUL-Ex-LED-XXXX-YYY-1P	PITBUL-Ex-LED + with one-phase through wiring connection
PITBUL-Ex-LED-XXXX-YYY-3P	PITBUL-Ex-LED + with three-phase through wiring connection

XXXX means luminous flux 2500/5000  
YYY means type of housing 218/236

